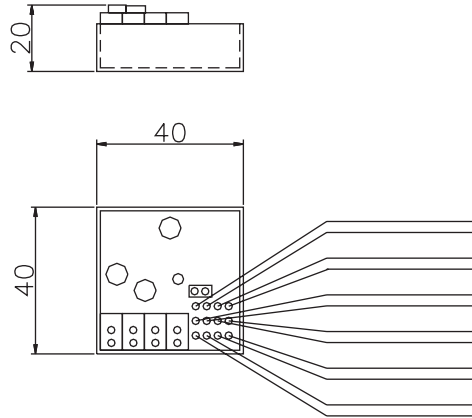


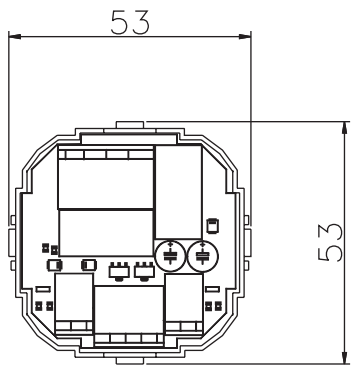
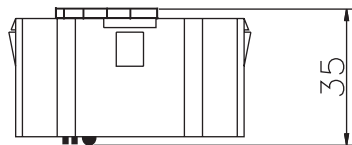
I/O Modules Flush Mounting
DI6UP... DI2R2UP...

thermokon
 Sensortechnik GmbH

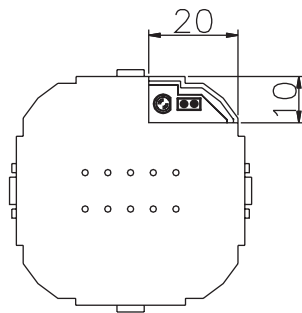
Dimensions (mm)



DI6 UP



DI2R2 UP



thermokon
 Sensortechnik GmbH

21900...



DI6 UP LON



DI2R2 UP LON

I/O Modules Flush Mounting
DI6UP... DI2R2UP...



Application

I/O module for flush mounting with digital inputs and outputs. Suitable for installation in deep boxes, behind common light/shutter buttons (type DI6) respectively standard blind covers (type DI2R2). For status detection of potential-free contacts and control of actuators via relais contacts. By means of the corresponding software application suitable for control of light, shutters and inquiry of window contacts,

Types Available

<i>Model</i>	<i>Type</i>	<i>Method of measurement (output)</i>
DIxUP	DI6UP DI2R2UP	6DI, FTT10A 2DI, 2DO, FTT10A

Norms and Standards

Product safety:	EN60730-1 Automatic electr. control devices for domestic use and similar applications
EMV:	EN50090-2-2 (98) Interference resistance EN50090-2-2 (98) Emitted interference
CE-Conformity:	89/336/EWG Electromagnetic compatibility

Technical Data

Type DI6UP:

In-/Outputs:	6 digital inputs for potential-free contacts LON-interface FTT10A
Operating voltage:	24V=/24V-
Power consumption:	max. 25mA/24V=
Clamps:	Terminal strip, max 1,0mm ² , with available cable ends for button-/switch wiring, length 30cm, extendable up to max. 10m
Housing:	Plastic, for installation in standard flush boxes
Tmax²⁾:	<50°C
Protection:	IP20

Type DI2R2UP:

In-/Outputs¹⁾:	2 digital inputs for potential-free contacts 2 relays outputs 230V~/6A (closer), max. current at make 15A LON-interface FTT10A
Operating voltage:	24V=/24V-
Power consumption:	max. 50mA/24V=
Clamps:	Terminal strip max 1,0mm ²
Housing:	Plastic, for installation in standard flush boxes
Tmax²⁾:	<50°C
Protection:	IP20

¹⁾With inductive/capacitive consumers (e.g. lamp or shutter controls) the contact loads should be checked to avoid a burn together of contacts.

²⁾ Maximum permissible ambient temperature, humidity (without dew permeation) <80%r.F.

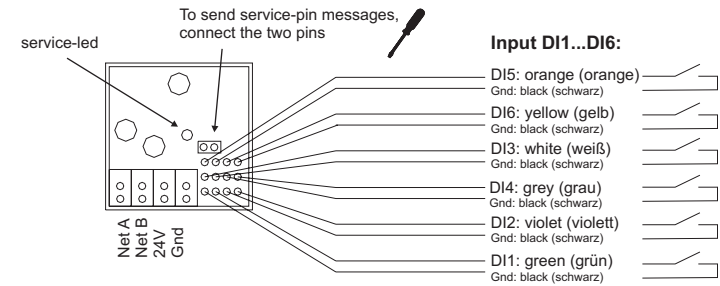
Mounting Advice

Type DI6 UP can be installed directly behind common light-/shutter buttons. The device has already cable ends for button-/switch wiring. They can be extended up to 10m. For installation a deep ISO-box is necessary.

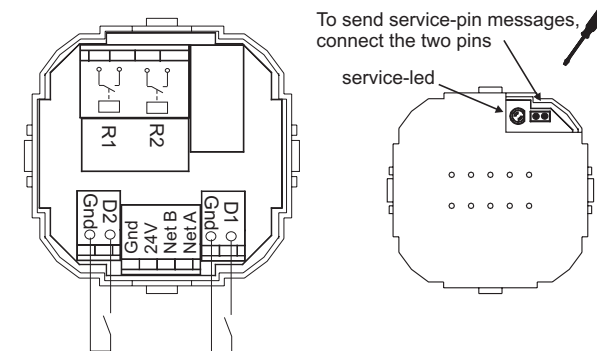
For type DI2R2 installation is made in a flush box with blind cover.

Please also note the general remarks in our INFORMATION SHEET THK.

Terminal Connection Plan



DI6 UP



DI2R2 UP